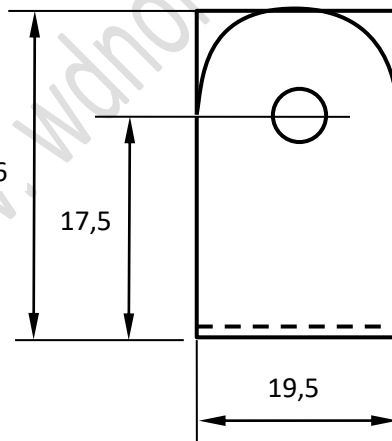
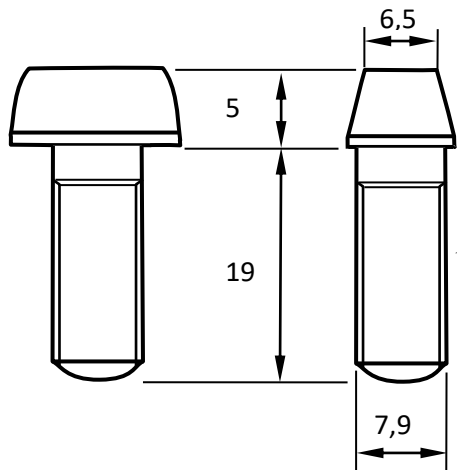
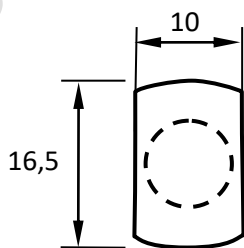


Rounded side  
on outside of  
saddle frame



$t \approx 1,7$   
Hole  $\varnothing 6,5$



5/16 x 18 W