

Oil Tank Top Attachment Clip pn 3590

Part number did not change over time but there are at least 2 versions found, approx sizes given below

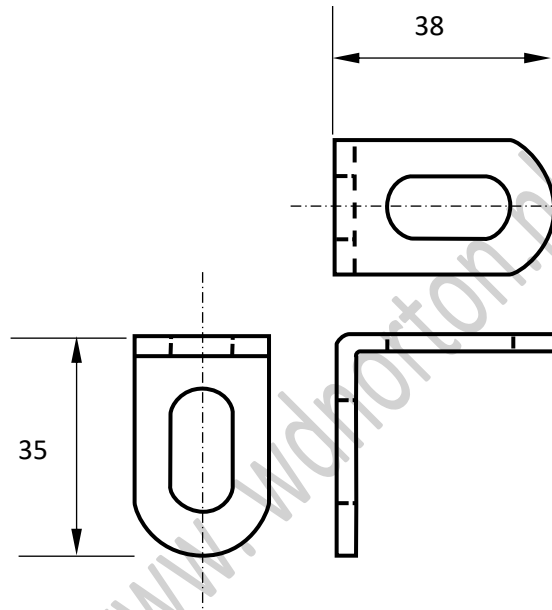
Version A is also shown in the early spare parts illustrations whereas the version B is most found suggesting a later version.

The angle may have started at 90° but in many cases it is wider, likely bent to fit in the actual application. Top end often bent slightly backwards following the curve of the cross brace.

Parts made from strip 19,1 x 3,2 mm (3/4 x 1/8")

Oval holes approx 5/16 x 5/8 "

Version A



Version B

