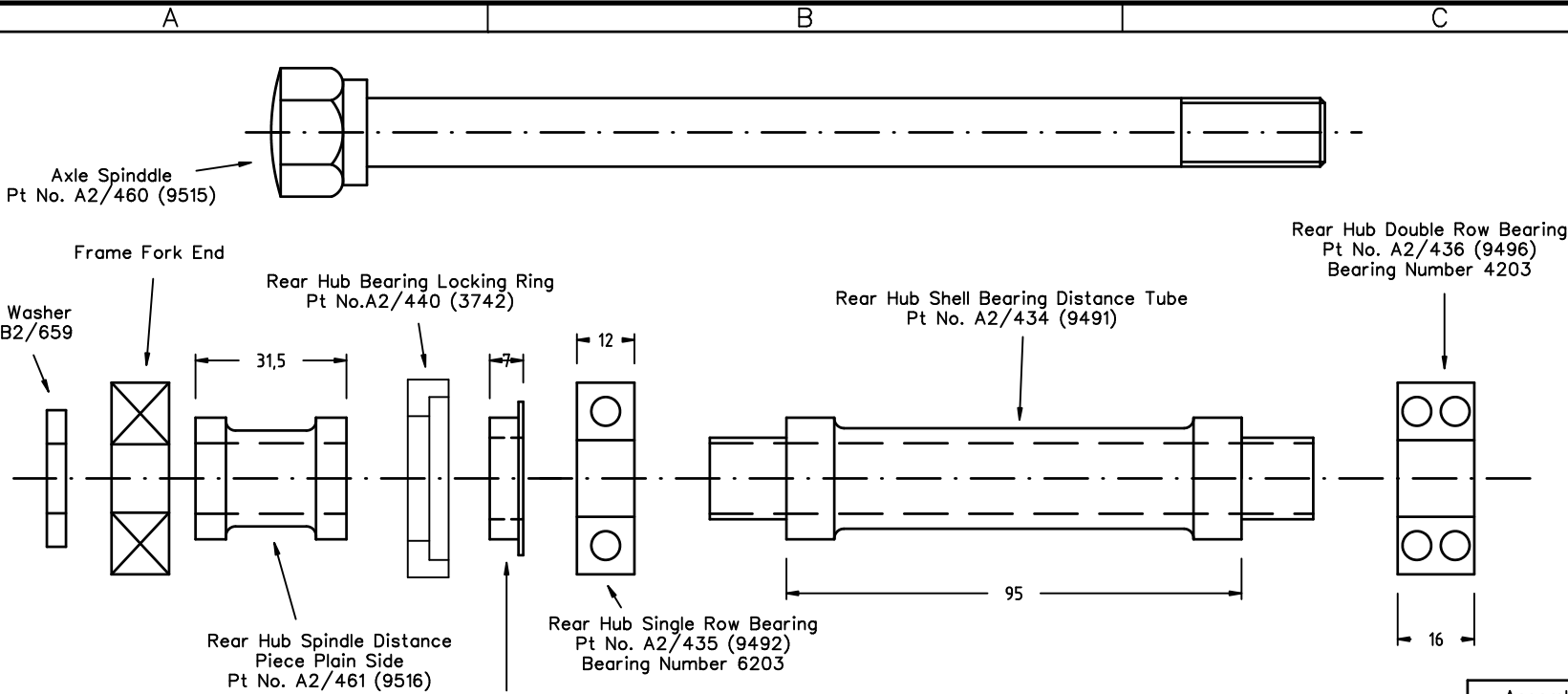
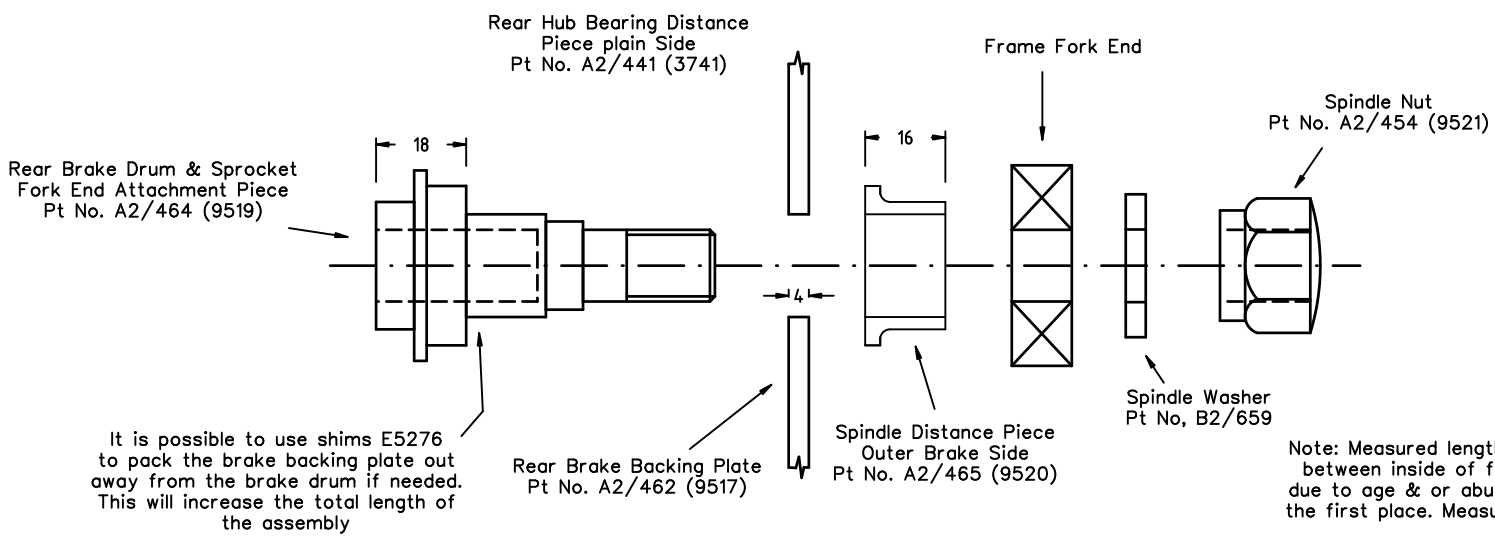


Pt No.	Pt No.	Description	Ref Dwg	Norvil	RGM	Andover	BMH	Pt No.	Pt No.	Description	Ref Dwg	Norvil	RGM	Andover	BMH
A2/460	9515	Axle	RND10003	06.7737	06.7737	06.7737	EM662	A2/434	9491	Rear Hub Shell Bearing Distance Tube	RND10004				BT-OF-9491
B2/659		Axle Washer	RND10003	06.7738	06.7738	06.7738		A2/436	9496	Rear Hub Double Row Bearing		06.7688	06.7688	06.7688	
A2/461	9516	Spindle Distance Piece Plain Side outer	RND10004				BT-OF-A2/461	A2/464	9519	Fork End Attachment Piece / Dummy Axle	RND10005	06.7601	06.7601	06.7601	
A2/440	3742	Rear Hub Bearing Locking Ring	RND10005	06.7702	06.7702	06.7702	BT-3742	A2/465	9520	Spindle Distance Piece Outer Brake Side	RND10005	06.7740	06.7740	06.7740	BT-OF-9520
A2/441	3741	Bearing Distance Piece Plain Side	RND10004		06.3919		BT-OF-A2/441	A2/454	9521	Spindle / Dummy Axle Nut	RND10003	06.7739	06.7739	06.7739	BT-OF-9509
A2/435	9492	Rear Hub Single Row Bearing				04.0100									

Drawn By RND	Date 22/5/22	Norton 1933 - 1946 Rear Axle Assembly Rigid Frame							Rev	Scale 1:1.5	Dwg No. RND10001	Sheet 1
-----------------	-----------------	---	--	--	--	--	--	--	-----	----------------	---------------------	------------

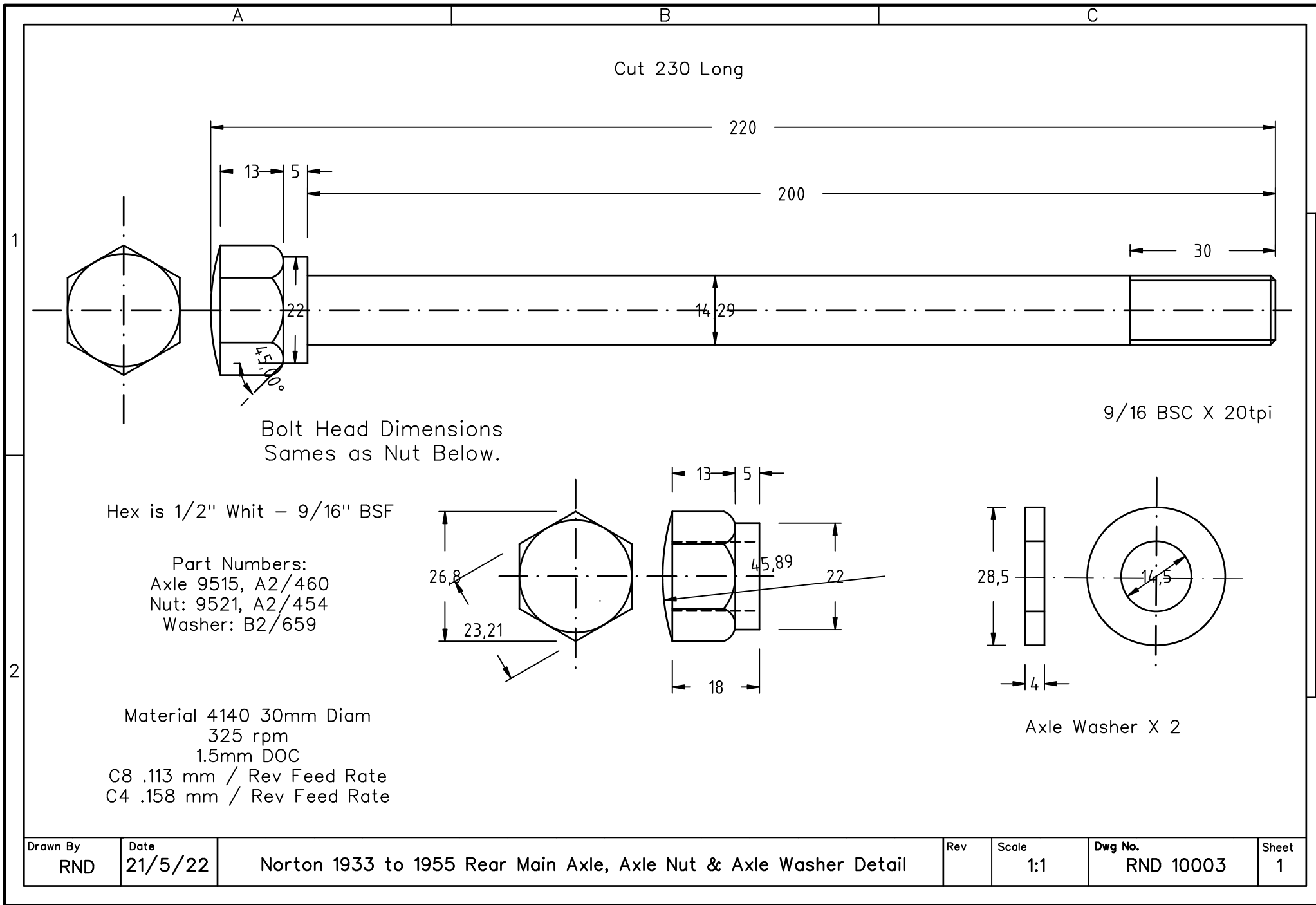


Assembled Length	
Pt No.	Length
A2/461	31.5
A2/441	7
A2/435	12
A2/434	95
A2/436	16
A2/464	18
A2/462	4
A2/465	16
Total	199.5



It is possible to use shims E5276 to pack the brake backing plate out away from the brake drum if needed. This will increase the total length of the assembly

Note: Measured lengths of parts on bikes including distance between inside of frame can vary by millimetres, probably due to age & or abuse and maybe not being made exactly in the first place. Measurements to be considered nominal within a millimetre or so!!!



Cut 230 Long

220

200

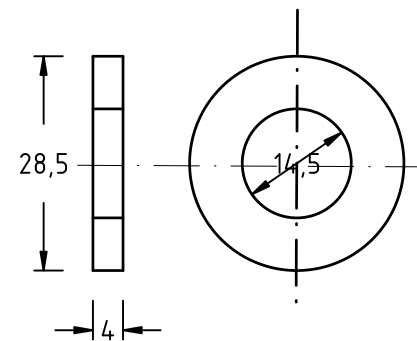
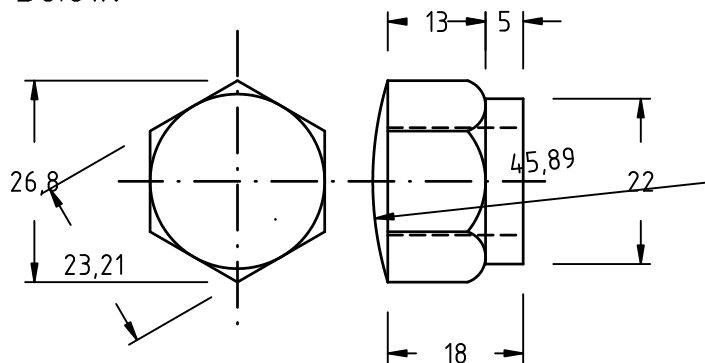
30

Bolt Head Dimensions
Sames as Nut Below.

9/16 BSC X 20tpi

Hex is 1/2" Whit - 9/16" BSF

Part Numbers:
Axle 9515, A2/460
Nut: 9521, A2/454
Washer: B2/659

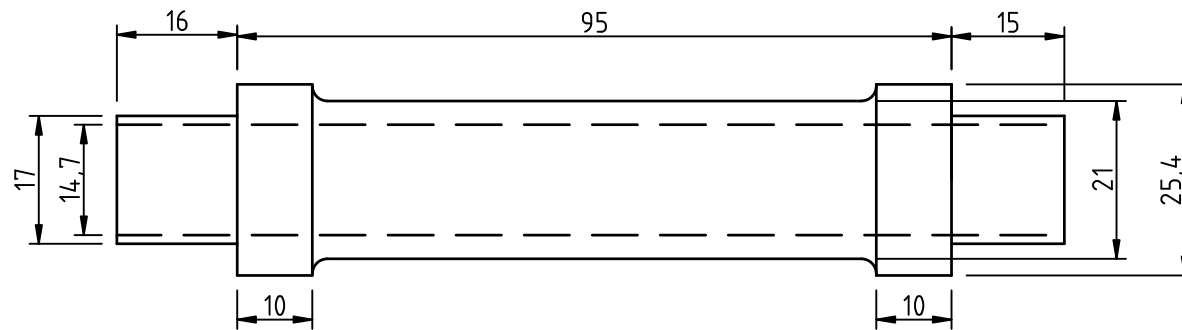


Axle Washer X 2

Material 4140 30mm Diam
325 rpm
1.5mm DOC
C8 .113 mm / Rev Feed Rate
C4 .158 mm / Rev Feed Rate

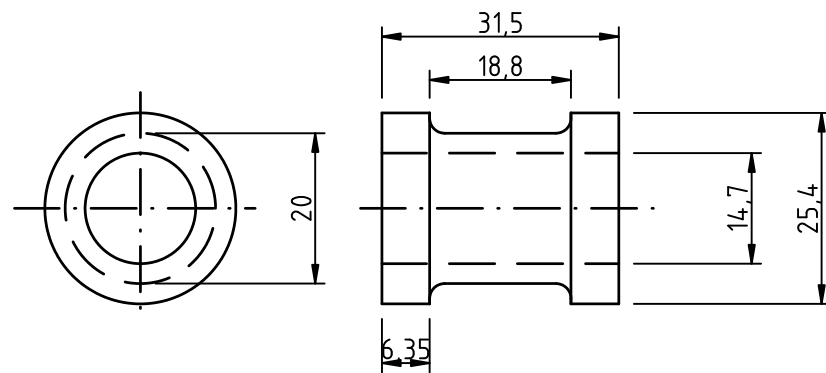
Drawn By RND	Date 21/5/22	Norton 1933 to 1955 Rear Main Axle, Axle Nut & Axle Washer Detail	Rev	Scale 1:1	Dwg No. RND 10003	Sheet 1
-----------------	-----------------	---	-----	--------------	----------------------	------------

A B C

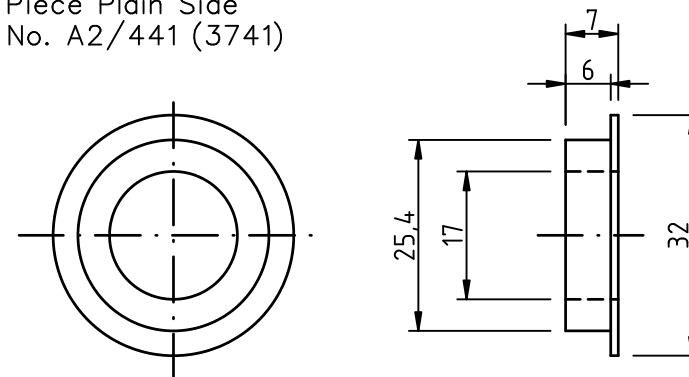


Hub Shell Bearing Distance Tube Pt No. A2/434 (9491)
longer Extension to Fit into Single Row Bearing. (Off Side)

Hub Bearing Distance
Piece Plain Side
Pt No. A2/441 (3741)



Spindle Distance Piece Plain Side Outer
Pt No. A2/461 (9516)



1

2

Drawn By
RND

Date
22/5/22

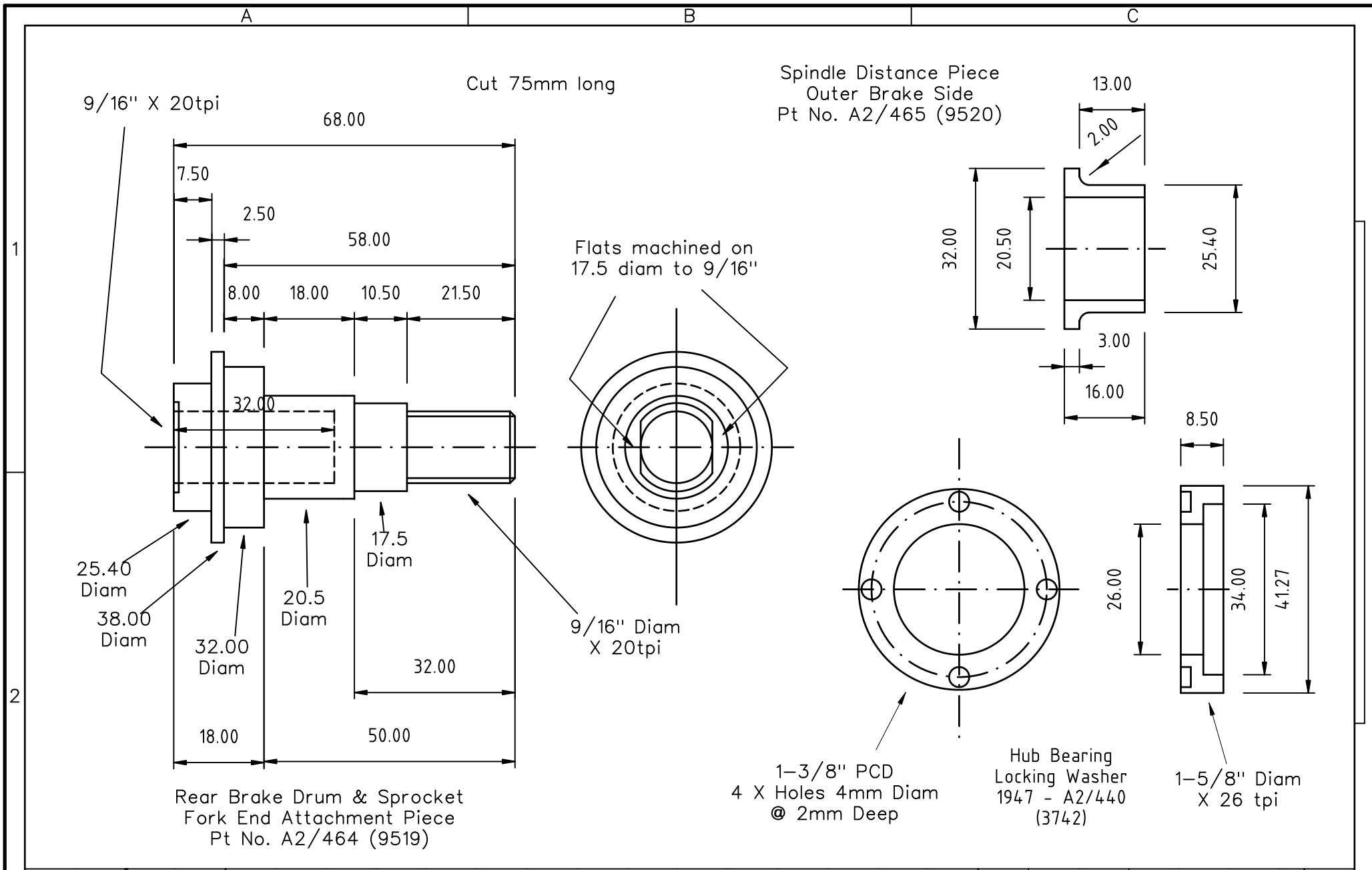
Norton 1933 - 1946 Rear Axle Bearing & Spindle Spacers

Rev

Scale
1:1

Dwg No.
RND 10004

Sheet
1



Drawn By
RND

Date
22/5/22

Norton 1933-1946 Rear Drum & Sprocket Fork End Attachment Piece

Rev

Scale
1:1

Dwg No.
RND 10005

Sheet
1