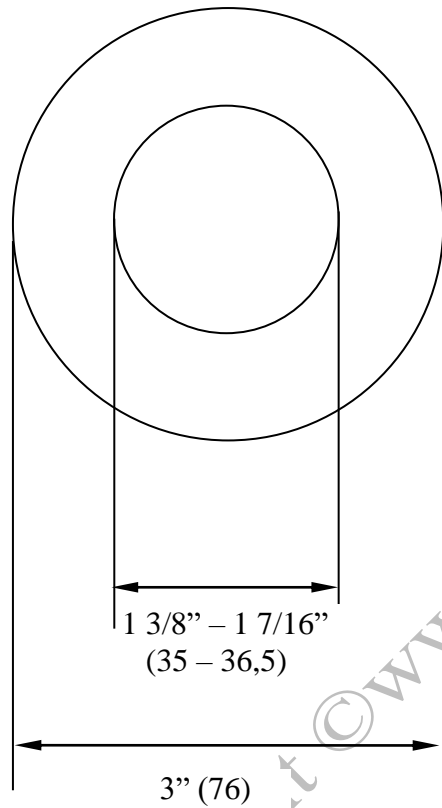
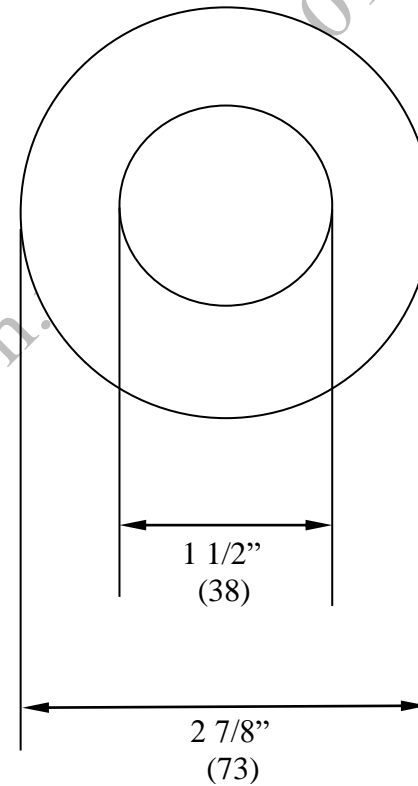


Front Fork Shock Absorber
Friction Disc, Part no. 9268



Drawing not to scale

Front Fork Steering Damper
Friction Plate Disc, Part no. 9285



Material thickness 1/8" (3,2 mm)
Diameter dimensions in mm +/- 0,5

RvdB, 8-4-2014, revised 16-2-2025
(www.wdnorton.nl)