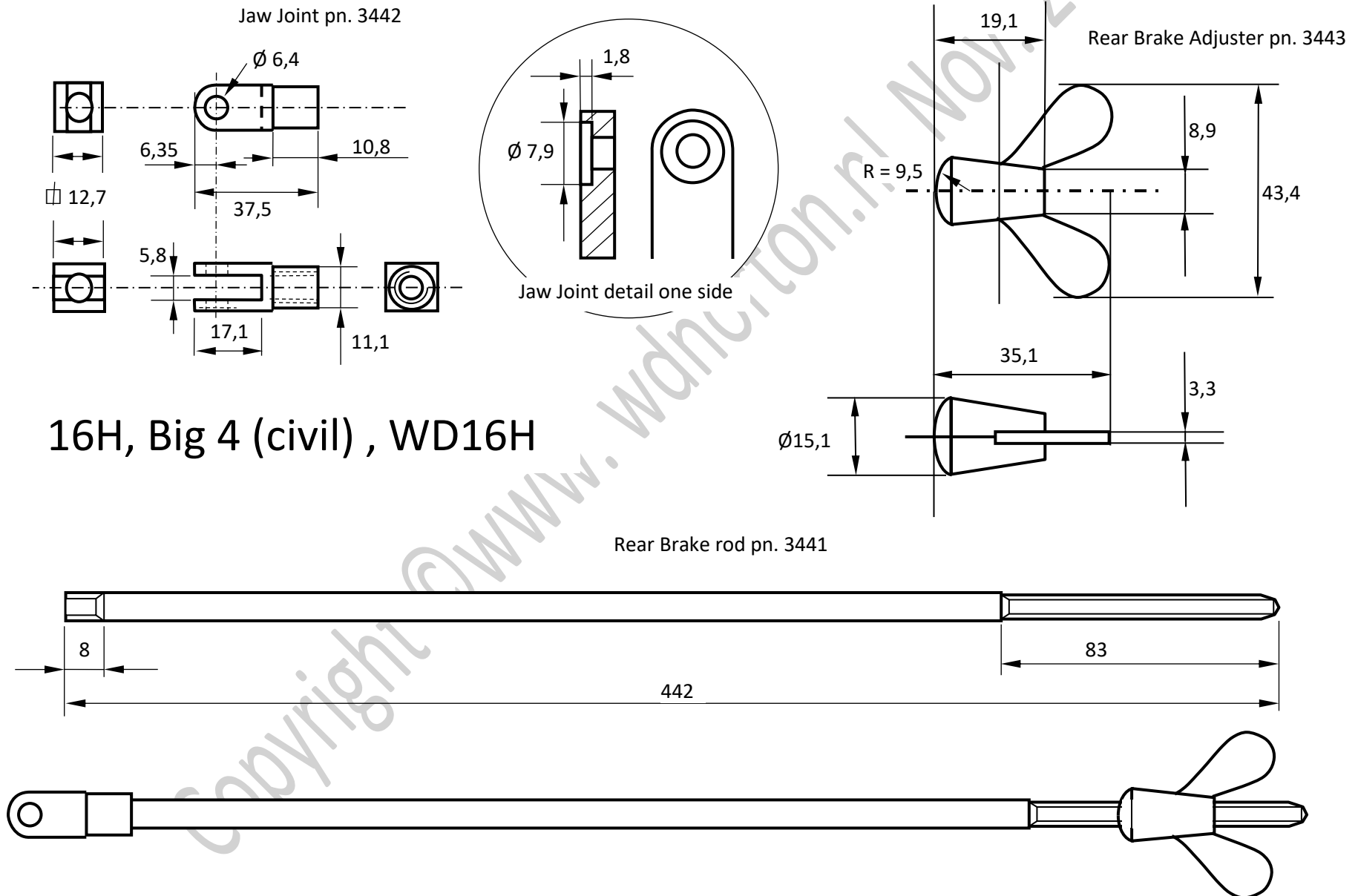


Rod diameter 5/16 (ca 7,9 mm), threads: jaw joint and front end of rod 5/16" x 26 tpi , rear end and wing nut 9/32 x 26 tpi .  
Clevis pin head fitting in countersink on one side of the jaw joint.

Drawing not to scale , all dimensions +/- 0,2 mm (Drawn [www.wdnorton.nl](http://www.wdnorton.nl) Nov 2017/2024)



16H, Big 4 (civil) , WD16H